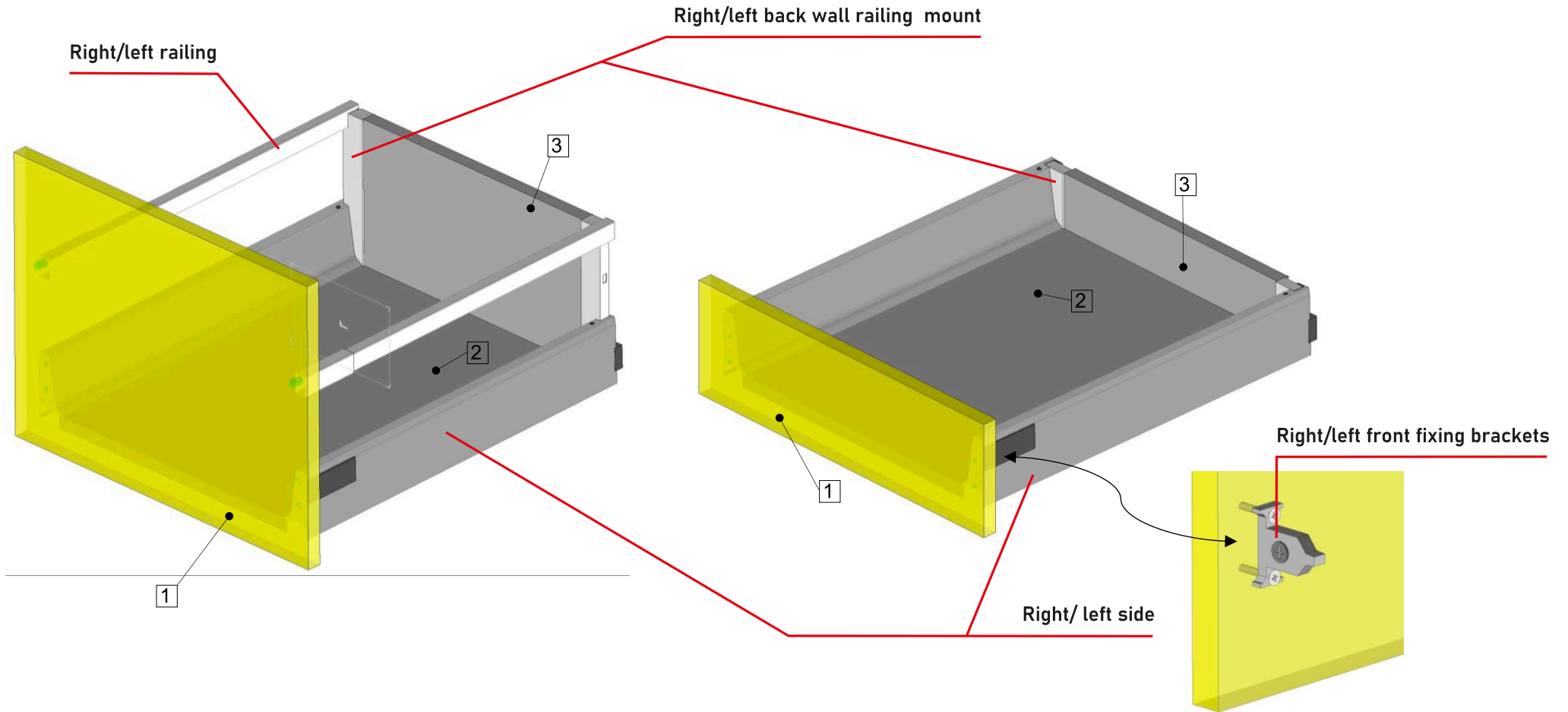
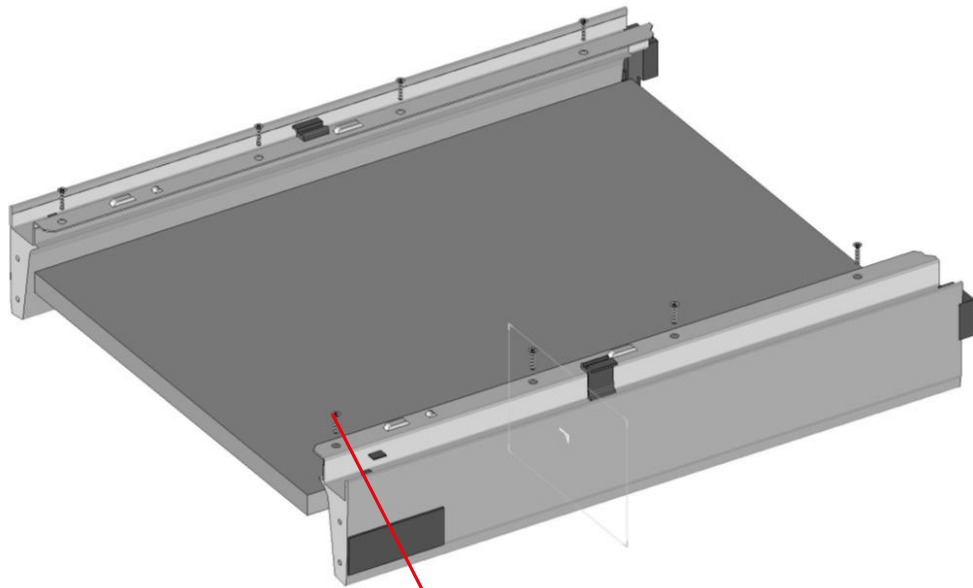


- 1. Front
- 2. Bottom board
- 3. Back wall





3.5x16 screw

